



SANIQUE®

S-9 SANITISING ELECTRIC SPRAYER

A decorative graphic at the bottom of the page features five hexagons arranged in a cluster. One hexagon on the left is purple and contains the text 'USER MANUAL'. The other four hexagons are grey. They are all connected at their corners, creating a honeycomb-like pattern.

**USER
MANUAL**

Sanique S-9 Electric Sanitising Sprayer

CAUTION

This manual contains important warnings and information

PLEASE READ & KEEP FOR FUTURE REFERENCE

VERSION **S9-01-0420**



Sanique

2b Stephenstown Industrial Park, Balbriggan, County Dublin, Ireland

Declares that the

Sanique S-9 Electric Sanitising Sprayer

is in compliance with the regulations included in:

2006/42/EC Machinery Directive

2014/35/EU Low Voltage Directive

2014/30/EU Electromagnetic Compatibility Directive

The standards applied by the manufacturer are:

EN55014-1:2006+A1; A1:2009+A2:2011

EN55014-1:2017

EN55014-2:2015

EN61000-3-2:2014

EN61000-3-3:2013

Quick check

The information on this page is intended only as a quick guide. It is no way intended as a substitute to the information on the pages following, which the user should be fully acquainted with before using a Sanique sanitising sprayer.

SYMPTOM	CHECK OUT	PROCEDURE
Motor won't run	Power switch Pressure control knob Supply plug & cable	Check it's on. Turn pressure control knob clockwise to increase pressure Check plug & cable for loose connections and/or damage
Pump won't prime	Prime valve Air in solution Suction filter Suction tube Lower ball Pump leaking	Make sure it's in the prime position Open prime valve and purge air from pump Ensure it's not clogged, clean where necessary Tighten if loose Tap the suction tube connection a few times to loosen - if no result check that lower ball and/or seat is not worn or scarred Change packings ; contact a Sanique dealer or technician for advice
Insufficient pressure at the gun or sudden loss of pressure	Solution bucket Spray tip Filters Hose Prime valve	Check not empty If clogged, reverse tip , aim gun at scrap and pull trigger to clear Check tip for wear, replace where necessary Check all filters are clear of debris, clean or replace Check not obstructed with debris, contact a Sanique dealer or technician for advice Check not obstructed with debris, contact a Sanique dealer or technician for advice

USE TO SPRAY

Most sprayable disinfectants and other sanitising fluids

PERFORMANCE

Flow 2.9 ltr/min

MWP 3000 psi

SPECIFICATION

Motor 1300 watt

Weight 34.85 kg (complete)

Warranty 2 years

SUPPLIED COMPLETE WITH

Sanitising spray gun

Sanitising spray lance

Gold sanitising atomisation tip

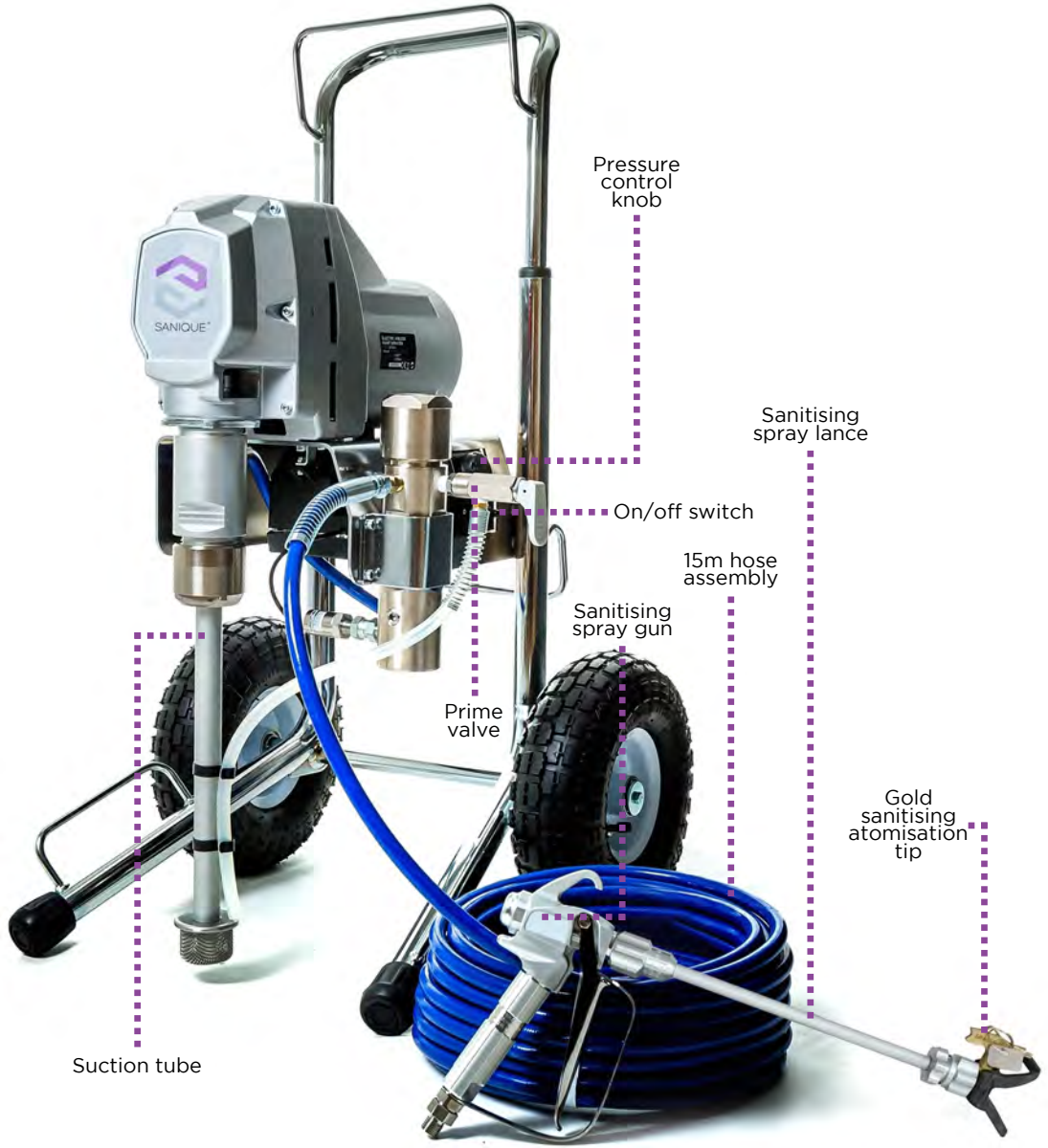
1/4" x 15m textile braided hose assembly

PRODUCT CODE

110 volt S9-110

240 volt S9-240

SANIQUE S-9



Please read these instructions carefully before using your Sanique sprayer.

GENERAL SAFETY

WARNING! Read and understand all instructions. Failure to follow all instructions listed below may result in electric shock, fire and / or serious personal injury. The term Sanique sprayer in all of the warnings listed below refers to your mains-operated (corded) sprayer.

WORK AREA

- + Keep your work area clean and well lit.
- + Do not operate your Sanique sprayer in explosive atmospheres, such as in the presence of flammable liquid, gases, or dust.
- + Keep bystanders, children, and visitors away while operating your Sanique sprayer. Distractions can cause you to lose control.

ELECTRICAL SAFETY

- + Sprayer plugs must match the outlet. Never modify the plug in any way.
- + Do not expose your Sanique sprayer to rain or wet conditions.
- + Do not abuse the cord. Never use the cord for carrying, pulling or unplugging the sprayer. Keep the cord away from heat, oil, sharp edges or moving parts. **Replace a damaged cord immediately.**
Damaged or entangled cords increase the risk of electric shock.
- + When operating a Sanique sprayer outdoors, use an outdoor extension cord suitable for outdoor use. Use of a cord suitable for outdoor use reduces the risk of electric shock.

PERSONAL SAFETY

- + Stay alert, watch what you are doing and use common sense when operating your Sanique sprayer. Do not use while you are tired or under the influence of drugs, alcohol, or medication. A moment of inattention could result in personal injury.
 - + Always wear the appropriate PPE as required by the facility being sanitised.
 - + Avoid accidental starting. Ensure the switch is in the off position before plugging in.
 - + Do not overreach. Keep a proper footing and balance at all times.
-

SERVICE

- + **Have your Sanique sprayer serviced by a qualified repair person using only identical replacement parts.** This will ensure that the safety of the sprayer is maintained.
If the supply cord of your Sanique sprayer is damaged it must be replaced by a specially prepared cord available through the service organization.

SPECIFIC SAFETY RULES

WARNING: HIGH PRESSURE

Never leave pressurized system unattended. Take precautions to avoid high pressure component rupture.

WARNING: FIRE AND EXPLOSION HAZARD

Take all precautions to avoid sources of sparks and ignition when spraying.

WEAR PROTECTIVE EQUIPMENT AT ALL TIMES

Always use a respirator, eye protection and protective clothing. Keep clear of moving parts when starting or operating the sprayer. Do not put your fingers into any openings to avoid amputation by moving parts or burns on hot parts. When starting the motor, maintain a safe distance from moving parts of the equipment.

EXPLOSION RISK FROM HALOGENATED HYDROCARBON SOLVENTS

Never use halogenated hydrocarbon solvents in this machine.

Contact with aluminum parts may cause an explosion.

Some of the most common of these solvents are:

Carbon tetrachloride

Chlorobenzene

Dichloroethane

Dichloroethyl Ether

Ethyl bromide

Ethyl chloride

Tetrachloroethane

MEDICAL ALERT INJECTION INJURIES

If any solution appears to penetrate your skin, **GET EMERGENCY MEDICAL CARE AT ONCE. DO NOT TREAT AS AN ORDINARY CUT.** High pressure fluids from spray or leaks are powerful enough to easily penetrate the skin and cause extremely serious injection injury, leading to the possible need for amputation.

- + **NEVER** point the spray gun at anyone or any part of the body.
 - + **NEVER** put your hand or fingers over the spray tip. Do not use a rag or any other materials over your fingers. Solution could penetrate through these materials and into the hand.
 - + **NEVER** try to stop or deflect leaks with your hand or body.
 - + **ALWAYS** have the tip guard in place when spraying.
 - + **ALWAYS** lock the gun trigger when you stop spraying.
 - + **ALWAYS** remove tip from the gun to clean it.
 - + **NEVER** try to "blow back" solution, this is not an air powered sprayer.
 - + **ALWAYS** follow the PRESSURE RELIEF PROCEDURE before cleaning or removing the spray tip or servicing any system equipment.
 - + Be sure the equipment safety devices are operating properly before each use.
 - + Tighten all of the fluid connections before each use.
 - + **NEVER** alter equipment in any manner.
 - + **NEVER** smoke while in spraying area.
 - + **NEVER** spray highly flammable materials.
 - + **NEVER** use around children.
 - + **NEVER** allow another person to use sprayer unless they are thoroughly instructed on its safe use and given this operator's manual to read.
 - + **ALWAYS** wear a spray mask, gloves and protective eye wear while spraying.
 - + **ALWAYS** ensure fire extinguishing equipment is readily available and properly maintained.
-

**NEVER LEAVE SPRAYER UNATTENDED WITH PRESSURE IN THE SYSTEM.
FOLLOW PRESSURE RELIEF PROCEDURES AT ALL TIMES.**

ALWAYS INSPECT SPRAYING AREA

- + Keep the spraying area free from obstructions.
- + **NEVER** keep flammable material in spraying area.
- + **NEVER** spray in vicinity of open flame or other sources of ignition.
- + The spraying area must be at least 6 metres away from spray unit.

SPRAY GUN SAFETY

- + **ALWAYS** set gun safety lock in the "LOCKED" position when not in use and before servicing or cleaning.
- + **NEVER** remove or modify any part of the gun.
- + **ALWAYS REMOVE THE SPRAY TIP** when cleaning.
Flush unit at the **LOWEST POSSIBLE PRESSURE.**
- + **ALWAYS** check operation of all gun safety devices before each use.
- + Be very careful when removing the spray tip or hose from the gun.
A plugged line will contain fluid under pressure. If the tip or line is plugged, follow the pressure relief procedure.

TIP GUARD

- + **ALWAYS** have the tip guard in place on the spray gun while spraying.
The tip guard alerts you to the injection hazard and helps prevent accidentally placing your fingers or any part of your body close to the spray tip.
-

HOSES

- + Tighten all of the fluid connections securely before each use. High pressure solution can dislodge a loose coupling or allow high pressure spray to be emitted from the coupling and result in an injection injury.
- + Only use hoses with a spring guard. The spring guard helps protect the hose from kinks or other damage which could result in hose rupture and cause an injection injury. Do not allow kinking or crushing of hoses or allow it to vibrate against rough, sharp or hot surfaces.
- + Use only conductive fluid hoses for sanitising applications. Be sure the gun is grounded through the hose connections. Only hoses as approved by Sanique should be used with this sprayer.
- + **NEVER** use a damaged hose, which can result in hose failure or rupture and cause an injection injury or other serious bodily injury or property damage. Before each use, check entire hose for cuts, leaks, abrasions, bulging of the cover, or damage or movement of couplings. If any of these conditions exist, replace the hose immediately.
- + **NEVER** use tape or any device to try to mend the hose as it cannot contain the high pressure fluid. **NEVER ATTEMPT TO RECOUPLE THE HOSE.**
It is not possible to recouple a high pressure hose.

ASSEMBLY

- 1 Attach the hose to the pump and tighten with a wrench.
- 2 Attach the hose to the gun and tighten with a wrench.

OPERATION

- 1 **New sprayer / before you start.** Your sprayer was factory tested in an oil solution which was left in the pump. Before spraying, flush through with warm water and detergent.

PACKINGS

The packings are a wearing part. If your Sanique sprayer can no longer maintain pressure, has difficulty priming and tightening the packing nut no longer helps, then the packings will require replacement. This is best entrusted to a qualified Sanique repair technician.

SPRAYING

- 1 Connect the hose and gun.**
- 2 Check the electrical service.** Be sure the electrical service matches the rating on the machine's nameplate and that the outlet you use is properly grounded.
- 3 Fill the packing nut/wet cup with a few drops of QLube Piston Lubricant.**
- 4 Flush the sprayer**
 - a** Place the suction tube into the media container.
 - b** Prime Valve must be 'Open' in the priming position.
 - c** When you have ensured that the gun safety latch is engaged, attach tip and safety guard.
 - d** Turn the power switch to the 'On' position.
 - e** Allow the pump to prime. After the pump is primed, immediately turn the Prime Valve to the 'Closed' position.
 - f** Turn Pressure Control Knob to the desired spray pressure.
 - g** Disengage the gun safety latch and you are ready to spray.

PRESSURE RELIEF PROCEDURE

IMPORTANT! To avoid possible serious body injury, always follow this procedure whenever your Sanique sprayer is shut off, when checking it, and whenever you stop spraying.

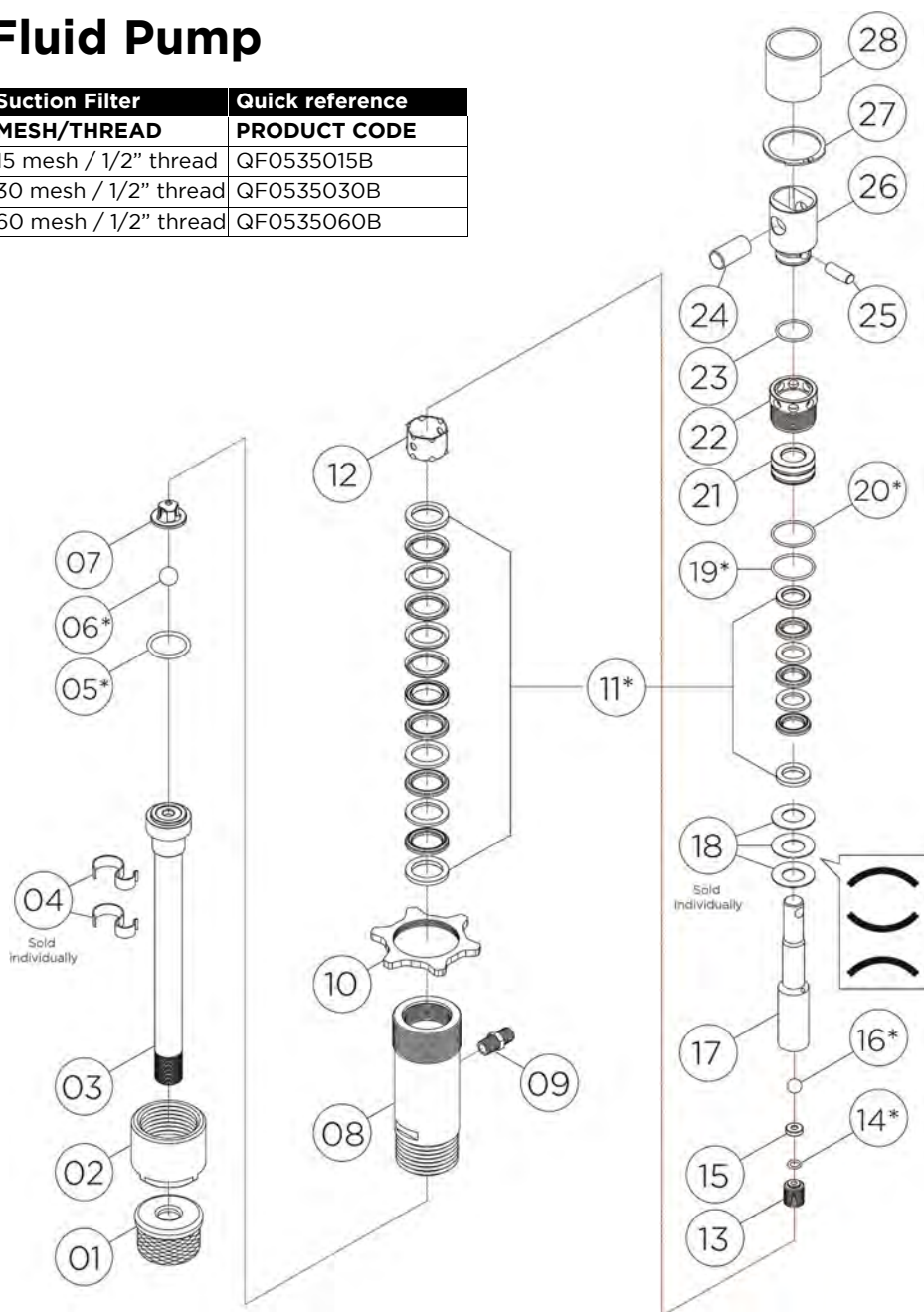
- 1** Engage the gun safety latch.
- 2** Turn the unit off and unplug it from the electrical outlet.
- 3** Disengage the gun safety latch and trigger the gun to relieve residual fluid pressure. Hold metal part of the gun in contact with grounded metal pail.
- 4** Turn the Priming Valve to the open (priming) position to relieve residual fluid pressure.
- 5** Re-engage gun safety latch and close Priming Valve.

DAILY MAINTENANCE

- 1** Keep the displacement pump packing nut/wet cup lubricated with QLube Piston Lubricant at all times. Add a drop of oil with regular use to the top of the pump. This helps protect the rod and the packings.
 - 2** Inspect the packing nut daily. If seepage of solution into the packing nut and/or movement of the piston upward is found (while not spraying), the packing nut should be tightened enough to stop leakage only, but not any tighter. Over tightening will damage the packings and reduce the packing life.
-

Fluid Pump

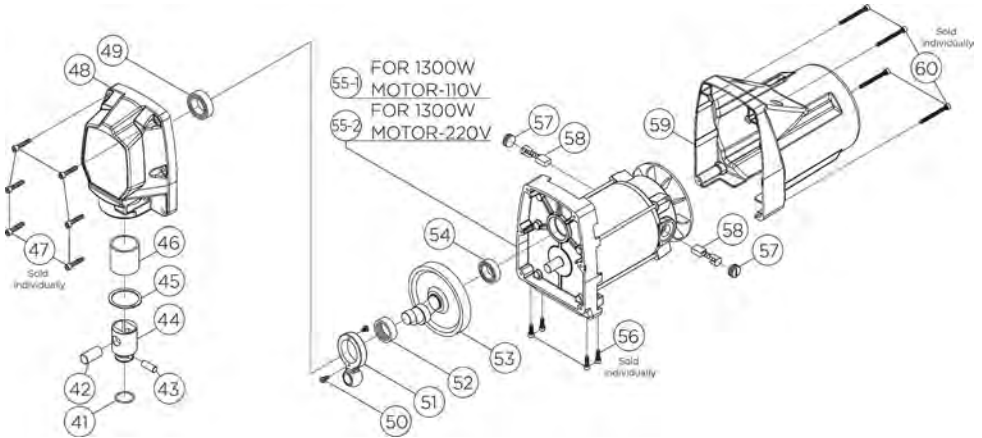
Suction Filter	Quick reference
MESH/THREAD	PRODUCT CODE
15 mesh / 1/2" thread	QF0535015B
30 mesh / 1/2" thread	QF0535030B
60 mesh / 1/2" thread	QF0535060B



Fluid Pump

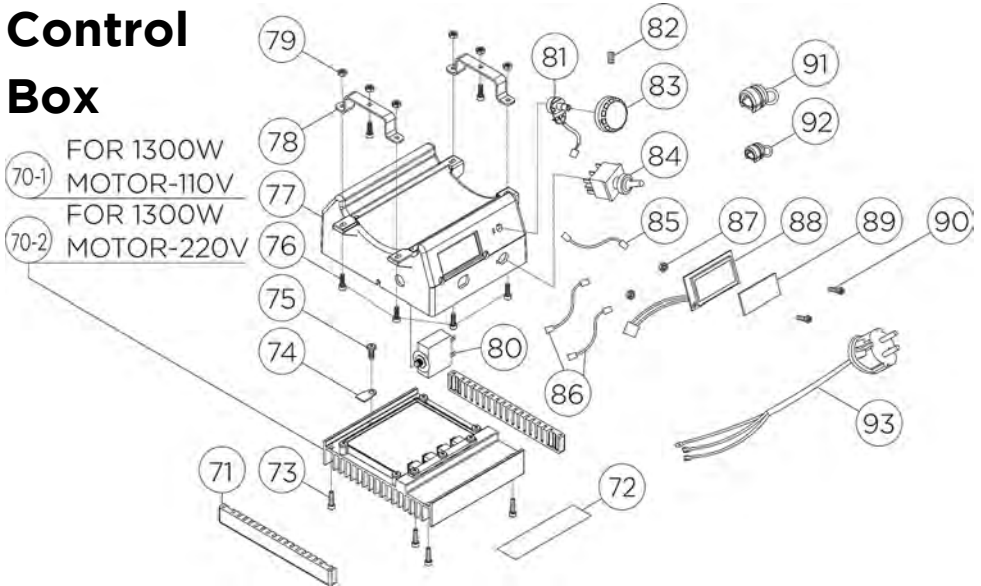
ITEM	PRODUCT CODE	DESCRIPTION	QTY
01	Quick ref table	INLET STRAINER/SUCTION FILTER (20MESH)	1
02	12-290-001	GLAND NUT	1
03	12-290-002	SUCTION TUBE (Ø12 x Ø22 x 315MM)	1
04	12-290-003	TUBE HOLDER (Ø11/Ø22)	2
05	12-005*	O-RING (Ø28.4xØ35.3x3.5)	1
06	12-006*	LOWER CHECK BALL (Ø12.7)	1
07	12-007	BALL GUIDE/CAGE	1
08	12-290-010	PUMP HOUSING	1
09	12-003	OUTPUT NIPPLE (PT 1/4" x 1/4"-19PF)	1
10	12-290-011	RETAINING NUT	1
11	12-002	COMPLETE PACKING KIT, INC PARTS 05,06,11,14,16,19,20	1
12	12-008	PACKING SPACER	1
13	12-015	BALL SEAT FASTENER (M16xP1.0)	1
14	12-011*	O-RING (Ø9 x Ø13 x 2)	1
15	12-010	BALL SEAT (Ø4xØ13.8x4)	1
16	12-012*	UPPER CHECK BALL (Ø6.35)	1
17	12-290-022	DISPLACEMENT PISTON	1
18	12-009	DISC SPRING (Ø18xØ34.7x1)	3
19	12-013*	O-RING (Ø31.2xØ35.1x1.8)	1
20	12-014*	O-RING	1
21	12-290-028	SEAL SEAT (Ø27xØ35)	1
22	12-290-030	PACKING NUT (M38xP1.5)	1
23	12-290-032	RETAINING RING (Ø1.2xØ24.8)	1
24	12-290-034	DRIVE WRIST PIN (Ø16x32)	1
25	12-290-033	PUMP WRIST PIN (Ø9.5x25)	1
26	12-290-035	DRIVE PISTON	1
27	12-290-038	INTERNAL CIRCLIP	1
28	12-290-039	BUSHING (Ø38xØ44x43)	1

Motor & Gearbox



ITEM	PRODUCT CODE	DESCRIPTION	QTY
41	12-290-032	RETAINING RING (Ø1.2xØ24.8)	1
42	12-290-034	DRIVE WRIST PIN (Ø16x32)	1
43	12-290-033	PUMP WRIST PIN (Ø9.5x25)	1
44	12-290-035	DRIVE PISTON	1
45	12-290-038	INTERNAL CIRCLIP	1
46	12-290-039	BUSHING (Ø38xØ44x43)	1
47	12-290-051	SOCKET CAP SCREW (M5x35xP0.8)	6
48	12-290-050	GEAR HOUSING	1
49	12-290-053	BALL BEARING	1
50	12-290-054	TRUSS HEAD MACHINE SCREW (M5x8xP0.8)	2
51	12-290-055	CONNECTING ROD	1
52	12-290-056	NEEDLE BEARING	1
53	12-290-057	CRANK GEAR	1
54	12-290-060	BALL BEARING	1
55-1	12-290-062-1	MOTOR UNIT (110V)	1
55-2	12-290-062-2	MOTOR UNIT (220V)	1
56	12-290-061	SOCKET CAP SCREW (M5x12xP0.8)	4
57	12-290-064	BRUSH CAP (8x16)	2
58	12-290-065	CARBON BRUSH (8x16)	2
59	12-290-068	HOUSING COVER	1
60	12-290-069	SOCKET CAP SCREW (M5x55xP0.8)	4

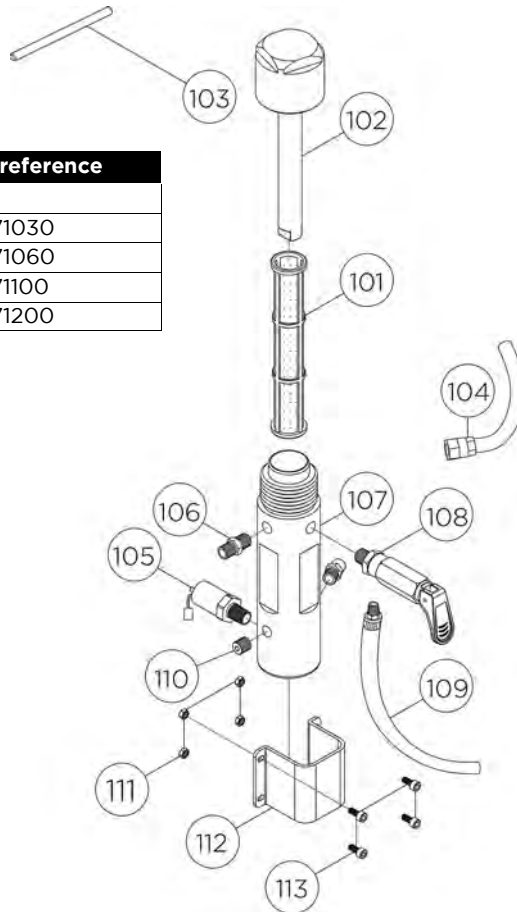
Control Box



ITEM	PRODUCT CODE	DESCRIPTION	QTY
70-1	12-290-091-1	ELECTRONICS UNIT (110V)	1
70-2	12-290-091-2	ELECTRONICS UNIT (220V)	1
71	12-290-121	RUBBER PROTECTION GUARD	2
73	12-290-101	PANHEAD TAPPING SCREW-B (M4x12)	4
74	12-290-097	EARTHING MARKING	1
75	12-290-096	PANHEAD MACHINE SCREW (M4x10xP0.7)	1
76	12-290-093	SOCKET CAP SCREW (M4x12xP0.7)	6
77	12-290-090	CONTROL BOX	1
78	12-290-094	U-BRACKET	2
79	12-290-092	HEX NUT (M4xP0.8)	6
80	12-290-100	CURRENT PROTECTOR	1
81	12-290-120	SPEED CONTROL (110V&220V)	1
82	12-290-119	SOCKET SET SCREW (M4x8xP0.7)	1
83	12-290-118	SUCTION POWER CONTROL DIAL (BLACK)	1
84	12-290-115	POWER SWITCH (110V&220V)	1
85	12-290-110	WIRE LEAD	1
86	12-290-111	WIRE LEAD	2
87	12-290-108	HEX NUT (M3)	2
88	12-290-107	LCD DISPLAY	1
89	12-290-106	WINDOW	1
90	12-290-105	TRUSS HEAD MACHINE SCREW (M3x12xP0.5)	2
91	12-290-117	CABLE GLAND	1
92	12-290-116	CABLE GLAND	1
93	12-290-125	POWER SUPPLY CABLE	1

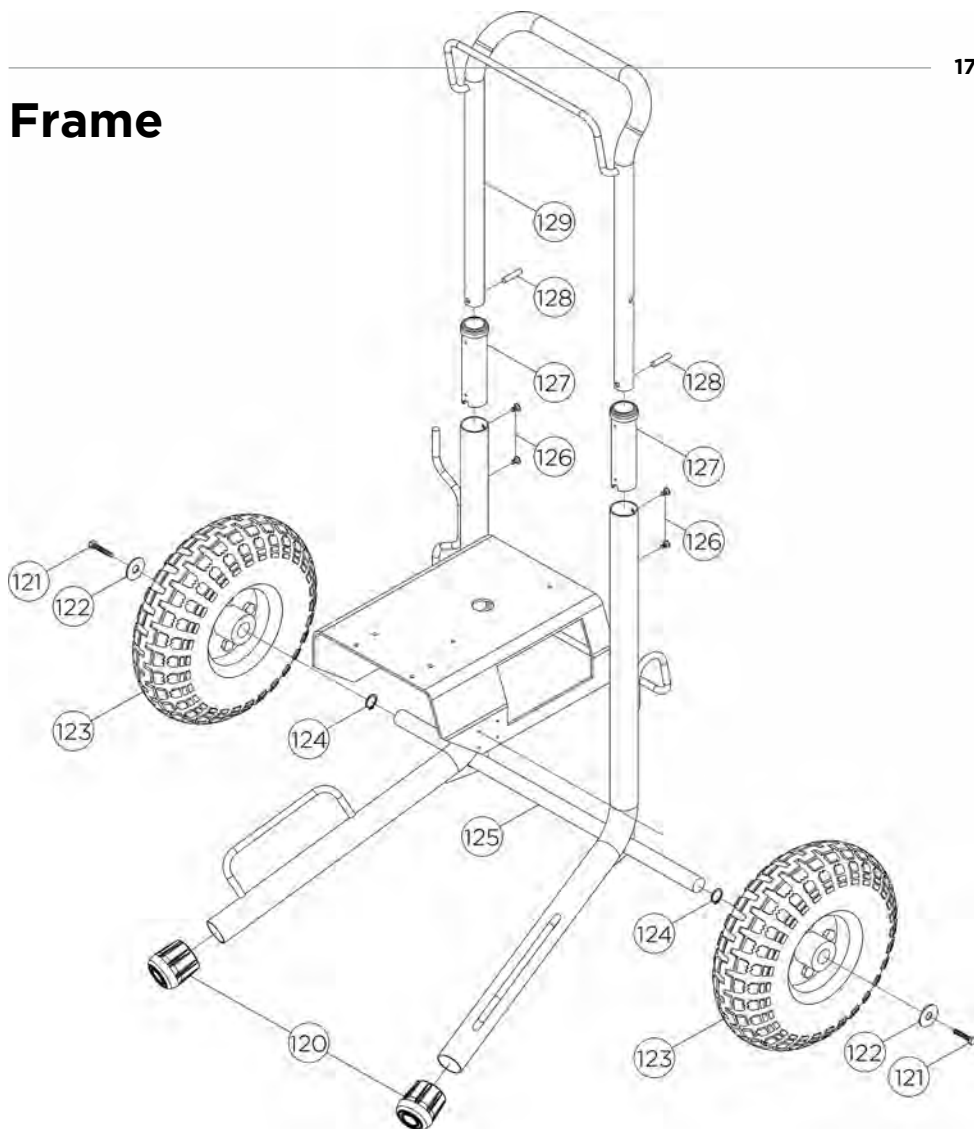
Fluid Manifold

Manifold Filter	Quick reference
MESH/COLOUR	CODE
15 mesh / grey	QF0571030
60 mesh / black	QF0571060
100 mesh / blue	QF0571100
200 mesh / red	QF0571200



ITEM	PRODUCT CODE	DESCRIPTION	QTY
101	Quick ref table	MANIFOLD FILTER	
102	12-290-070	FILTER CAP	1
103	12-001	PACKING NUT TOMMY BAR	1
104	12-290-085	HIGH PRESSURE HOSE (1/4"-18UNF)	1
105	12-290-074	PRESSURE TRANSDUCER (110V&220V)	1
106	12-003	OUTPUT NIPPLE (PT 1/4" x 1/4"-19PF)	2
107	12-290-071	FILTER HOUSING	1
108	12-290-075	PRIMING VALVE	1
109	12-016	DRAIN TUBE (PT1/8"x0.45M)	1
110	12-290-078	SOCKET SET SCREW (PT1/4')	1
111	12-290-079	HEX NUT (M5-PO.8)	4
112	12-290-080	BRACKET	1

Frame



ITEM	PRODUCT CODE	DESCRIPTION	QTY
120	12-290-160	END CAP	2
121	12-290-153	HEX BOLT (M6x16xP1.0)	2
122	12-290-152	FLAT WASHER (Ø1/4xØ32x2)	2
123	12-290-154	WHEEL	2
124	12-290-155	EXTERNAL CIRCLIP (S-19)	2
125	12-290-156	FRAME	1
126	12-290-157	FLAT HEAD MACHINE SCREW (M4x5xP0.7)	4
127	12-290-158	HANDLE MOUNT	2
128	12-290-159	ROLL PIN (Ø5x25)	2
129	12-290-161	HANDLE	1



Sanique

UK & Europe

2b Stephenstown Industrial Park
Balbriggan
County Dublin
Ireland
K32 KV26

Australia

27 Tatura Avenue
Gosford
NSW 2250

Email sales@sanique.co.uk
www.sanique.co.uk
www.sanique.com.au

Phone

UK 01494 360751

Ireland 1800 714005

Australia 1300 229 757

International +353 1690 3162